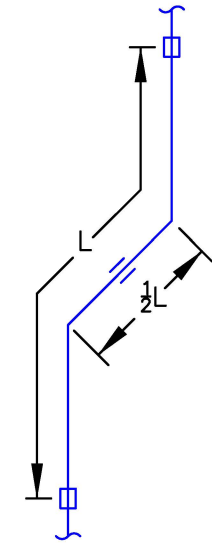
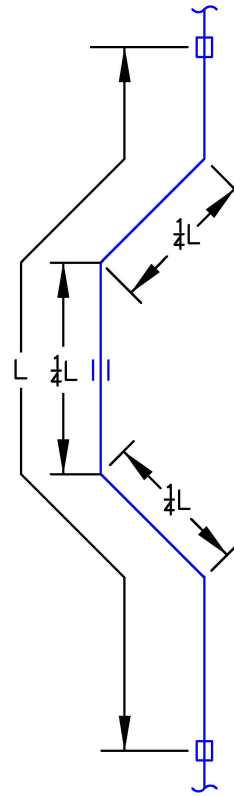


VERTICAL OR HORIZONTAL OFFSET

VERTICAL OR HORIZONTAL OFFSET



CHANGE OF DIRECTION

HORIZONTAL OFFSET

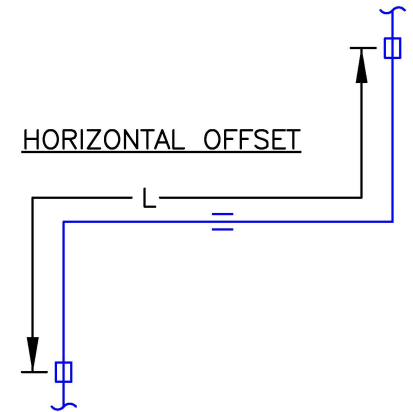
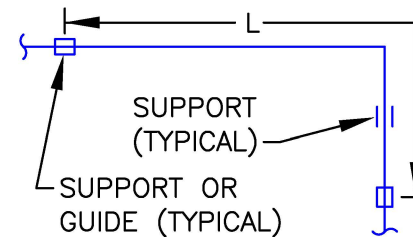


TABLE 313.3.1
SCHEDULE 40 PVC/ABS DWV & STORM PIPE EXPANSION TABLE

INSIDE THE BUILDING THERMAL ENVELOPE

PIPE SIZE (INCHES)	LENGTH OF RUN (FEET)		
	10 FT	20 FT	30 FT
	L = EXPANSION JOINT LENGTH (INCHES)		
1.5	20	28	34
2	22	31	38
3	27	38	46
4	30	43	52
6	37	52	63
8	42	59	72
10	47	66	80
12	51	72	88

OUTSIDE THE BUILDING THERMAL ENVELOPE

PIPE SIZE (INCHES)	LENGTH OF RUN (FEET)		
	10 FT	20 FT	30 FT
	L = EXPANSION JOINT LENGTH (INCHES)		
1.5	26	36	44
2	29	41	50
3	35	49	60
4	40	56	68
6	48	68	83
8	55	77	94
10	61	86	105
12	66	94	114

NOTE: MULTIPLE OFFSETS SHALL BE ALLOWED TO PROVIDE EXPANSION FOR EACH 30-FOOT DEVELOPED LENGTH OF RUN