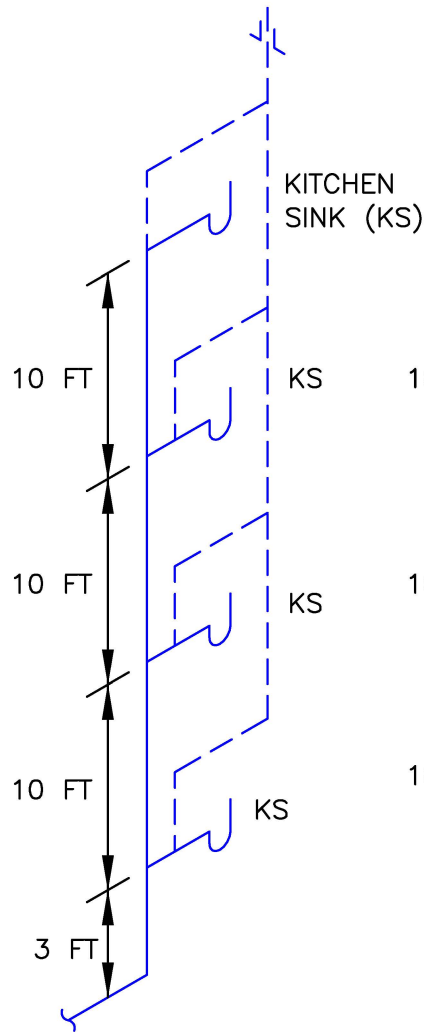
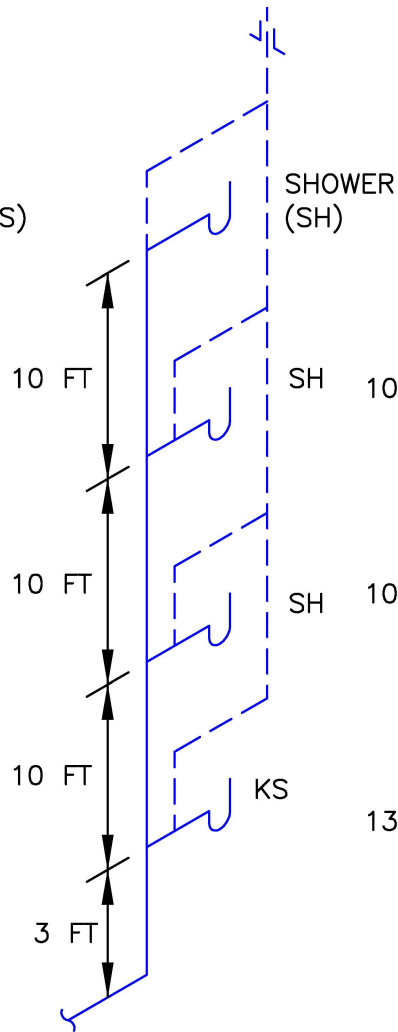


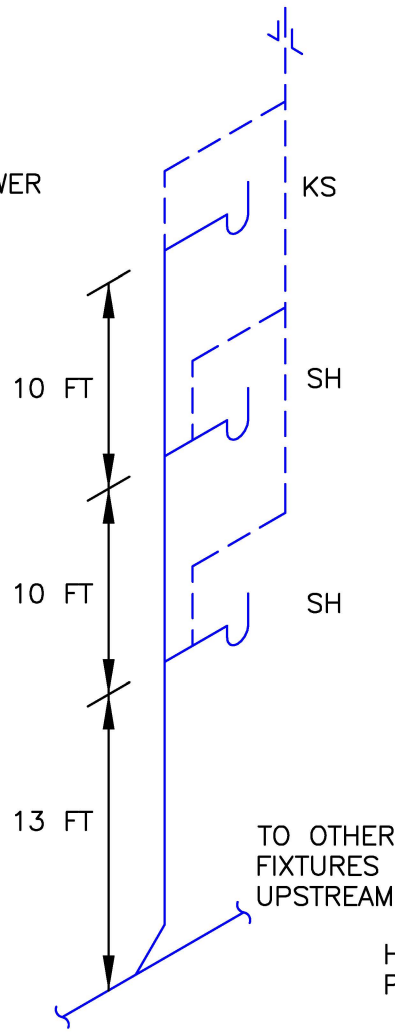
INCORRECT
INSTALLATION



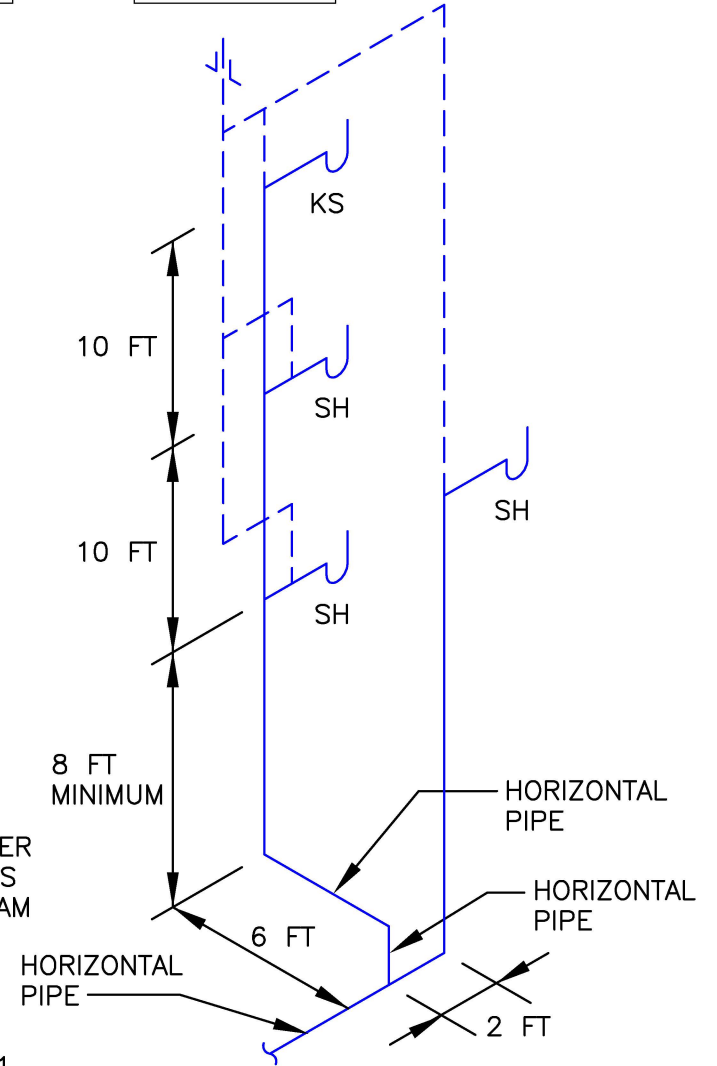
INCORRECT
INSTALLATION



INCORRECT
INSTALLATION



INCORRECT
INSTALLATION



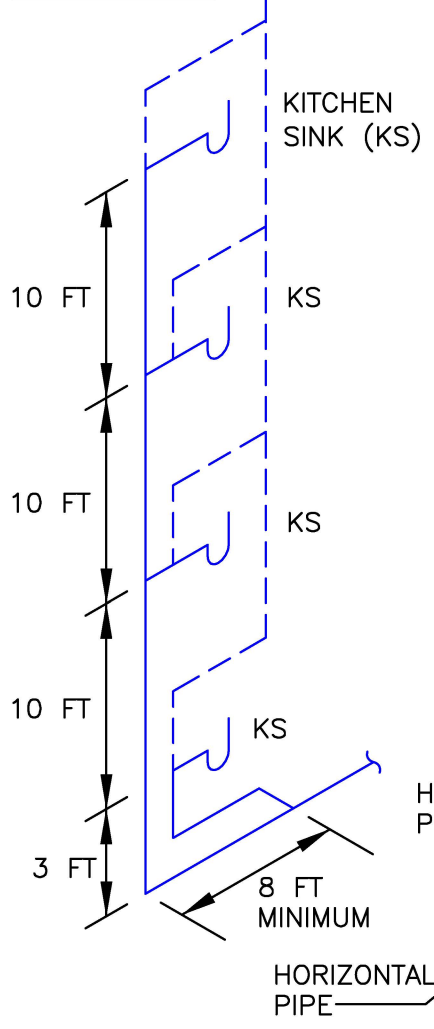
M.R. CHAPTER 4714, SECTION 711.1

DRAINAGE CONNECTIONS SHALL NOT BE MADE INTO A DRAINAGE PIPING SYSTEM WITHIN 8 FEET OF A VERTICAL TO HORIZONTAL CHANGE OF DIRECTION OF A STACK CONTAINING SUDS-PRODUCING FIXTURES. BATHTUBS, LAUNDRIES, WASHING MACHINE STANDPIPES, KITCHEN SINKS, AND DISHWASHERS SHALL BE CONSIDERED SUDS-PRODUCING FIXTURES.

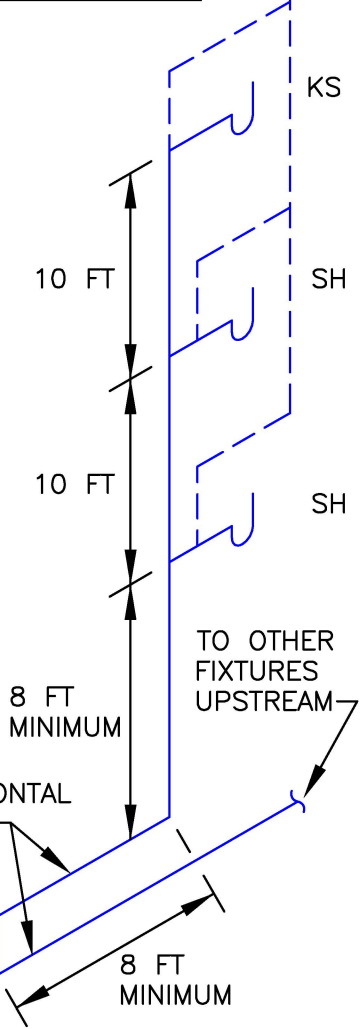
EXCEPTIONS:

- (1) SINGLE-FAMILY RESIDENCES.
- (2) STACKS RECEIVING THE DISCHARGE FROM LESS THAN THREE STORIES OF PLUMBING FIXTURES.

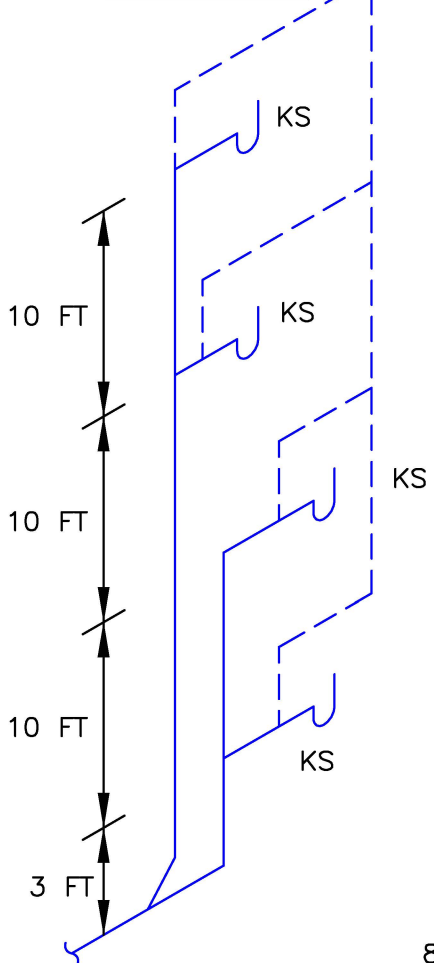
CORRECT INSTALLATION



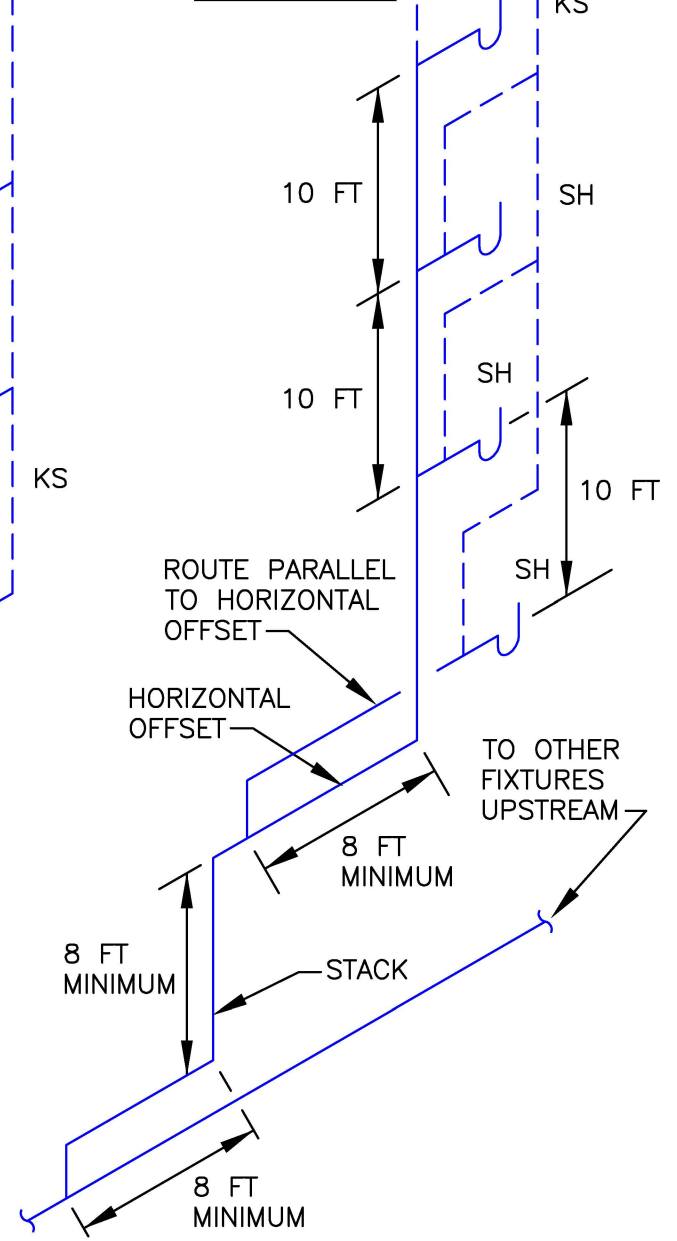
CORRECT INSTALLATION



CORRECT INSTALLATION



CORRECT INSTALLATION



M.R. CHAPTER 4714, SECTION 711.1, SUDS RELIEF